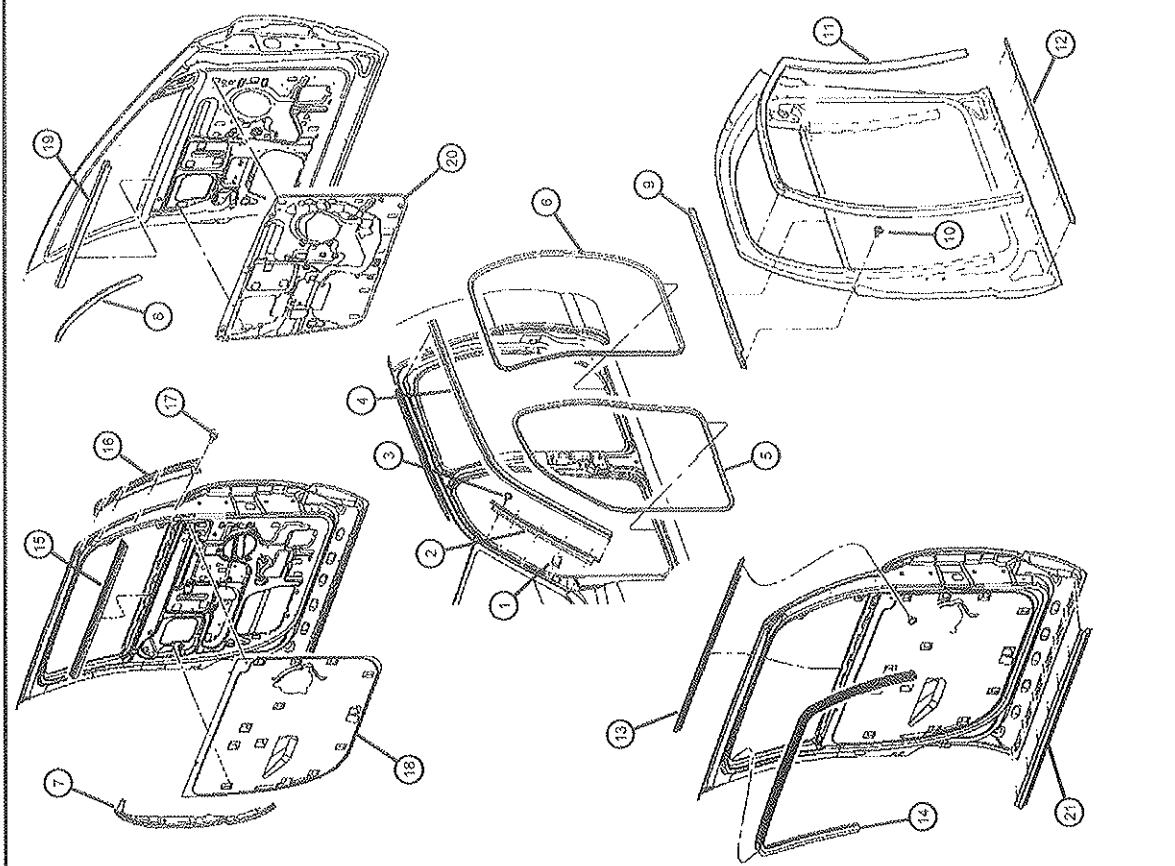


Weatherstrips, Door, Mega Cab  
Figure DD1-630

ITEM	PART NUMBER	QTY	LINE	SERIES	BODY	ENGINE	TRANS	TRIM	DESCRIPTION
1	55276957AB	2							SEAL, Body Side
2	55277186AB	1							MOLDING, Windshield Right
	55277187AB	1							Left
3	06507935AA	26			41, 42, 81				SCREW
4	55277035AB	1			81				SEAL, Body Side Left
	55277034AB	1			81				Right
5	55276909AF	2			41, 42, 81				WEATHERSTRIP, Door Opening
6	55277036AA	2			81				WEATHERSTRIP, Door Opening Right
7	55277248AB	1			41, 42, 81				Left
	55277249AB	1			41, 42, 81				Right
8	55276593AE	2							SEAL, B-Pillar
9	55276202AF	1			41, 42, 81				WEATHERSTRIP, Door Belt Right
	55276203AF	1			41, 42, 81				Left
10	55276203AF	1							SCREW, M4x.7x10 (NOT SERVICED)
11	55276180AF	1			41, 42, 81				SEAL, Glass Run, Front Right
	55276181AF	1			41, 42, 81				Left
12	55277216AA	1			41, 42, 81				SEAL
	55277217AA	1			41, 42, 81				Right
13	55277030AB	1			81				SEAL, Door Belt Strip, Right
	55277031AB	1			81				Belt Strip, Left
14	55277026AA	1			81				SEAL, Door Right
	55277027AA	1			81				Left
15	55277028AE	2			81				SEAL, Rear Door Right & Left
16	55276438AD	1			41, 42, 81				SEAL, B-Pillar Right
	55276439AD	1			41, 42, 81				Left



RES & QUAD CAB PICKUP 3500 (D1)  
 SERIES LINE  
 H = HIGHLINE 3 = HD DODGE 2WD  
 L = LOWLINE 8 = HD DODGE 4WD  
 P = PREMIUM  
 BODY  
 5 = D1-82  
 8 = D1-41  
 8 = D1-42  
 8 = D1-81

ENGINE  
 5TH = 5.9L IHC Cummins  
 Turbo Diesel Engine  
 EZA = Hemi "Magnum" 5.7L  
 S/MPI V6 Engine  
 TRANSMISSION  
 DEG = 6-Speed Manual Transmission  
 DC8 = 4-Spd. Automatic 48RE  
 Transmission  
 DCC = 5-Spd Automatic 5-45RFE  
 Transmission

AR = use as required - = Non illustrated part

Weatherstrips, Door, Mega Cab  
Figure DD1-630

ITEM	PART NUMBER	QTY	LINE	SERIES	BODY	ENGINE	TRANS	TRIM	DESCRIPTION
17	55276439AD	1							SCREW, (1.90-16x.750), (NOT SERVICED) WATERSHIELD, Rear Door
18					81				Right
	55277024AB	1			81				Left
19	55277025AB	1			42, 51, 41				WEATHERSTRIP, Door Belt
20	55276996AF	2							WATERSHIELD, Front Door
					41, 42, 81				Right
	55276172AI	1			41, 42, 81				Left
21	55276173AI	1							SEAL, Door
	55277032AC	2			81				

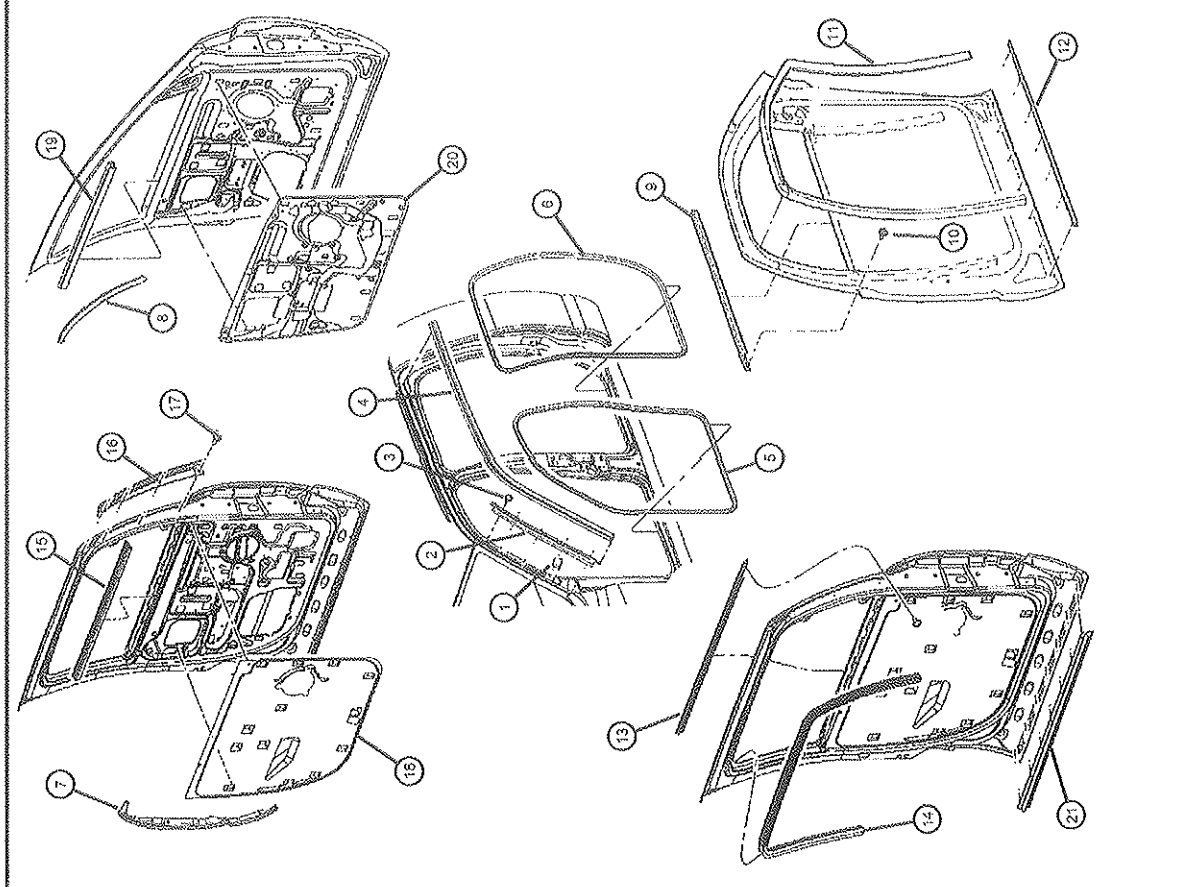
REG & QUAD CAB PICKUP 3500 (D1)	ENGINE	TRANSMISSION
SERIES	ETH = 5.9L IHC Cummins	DEG = 5-Speed Manual Transmission
LINE	Turbo Diesel Engine	DGB = 4-Spd. Automatic 48RE
H = HIGHLINE	EZ4 = Hemi "Magnum" 5.7L	Transmission
L = LOWLINE	5.0L I4 Engine	DGQ = 5-Speed Automatic 5-45RFE
P = PREMIUM		Transmission

REG & QUAD CAB PICKUP 3500 (D1)	ENGINE	TRANSMISSION
SERIES	ETH = 5.9L IHC Cummins	DEG = 5-Speed Manual Transmission
LINE	Turbo Diesel Engine	DGB = 4-Spd. Automatic 48RE
H = HIGHLINE	EZ4 = Hemi "Magnum" 5.7L	Transmission
L = LOWLINE	5.0L I4 Engine	DGQ = 5-Speed Automatic 5-45RFE
P = PREMIUM		Transmission

REG & QUAD CAB PICKUP 3500 (D1)	ENGINE	TRANSMISSION
SERIES	ETH = 5.9L IHC Cummins	DEG = 5-Speed Manual Transmission
LINE	Turbo Diesel Engine	DGB = 4-Spd. Automatic 48RE
H = HIGHLINE	EZ4 = Hemi "Magnum" 5.7L	Transmission
L = LOWLINE	5.0L I4 Engine	DGQ = 5-Speed Automatic 5-45RFE
P = PREMIUM		Transmission



AR = use as required - = Non illustrated part

2006 D1

<< RETURN TO GROUP INDEX