

GB

INSTALLATION INSTRUCTIONS 1500/2500/3500 Tubular Side Step for Quad Cabs

E

INSTRUCCIONES DE MONTAJE 1500/2500/3500 Escalón Lateral para Cab Quad

F

NOTICE DE MONTAG 1500/2500/3500 Marchepied pour les CabsQuad (4 Portes)

Subject to alteration without notice.

Reservadas modificaciones técnicas.

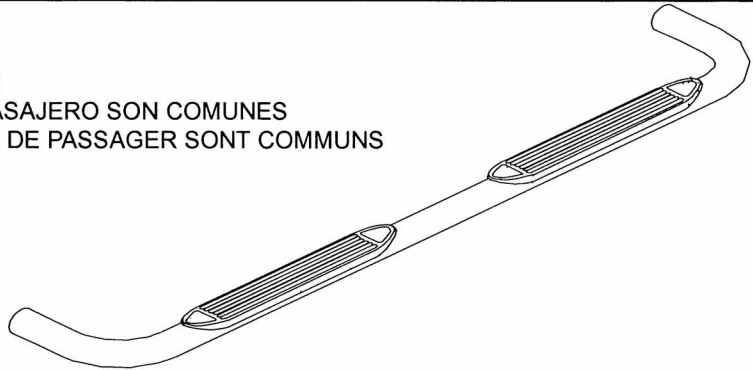
Sous reserve de modifications techniques.

1-16-2004
8790-00-0
K????????
©DAIMLERCHRYSLER



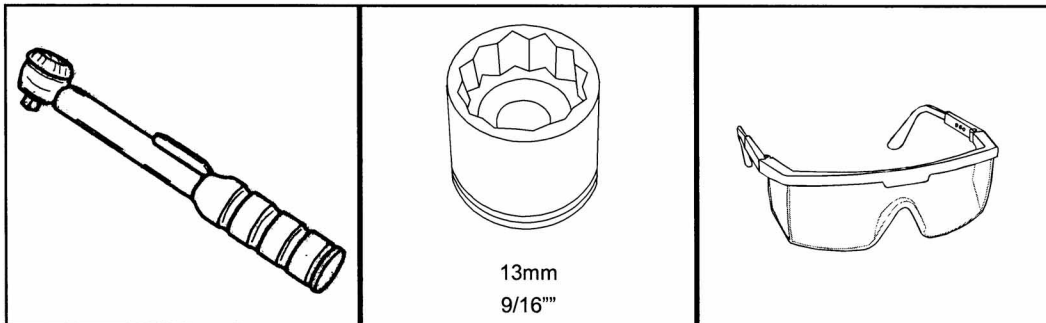
2X A

NOTE: DRIVER AND PASSENGER SIDE COMMON
 La NOTA: el LADO de CONDUCTOR Y LADO de PASAJERO SON COMUNES
 LA NOTE: LE COTE DE CHAUFFEUR ET LE COTE DE PASSAGER SONT COMMUNS



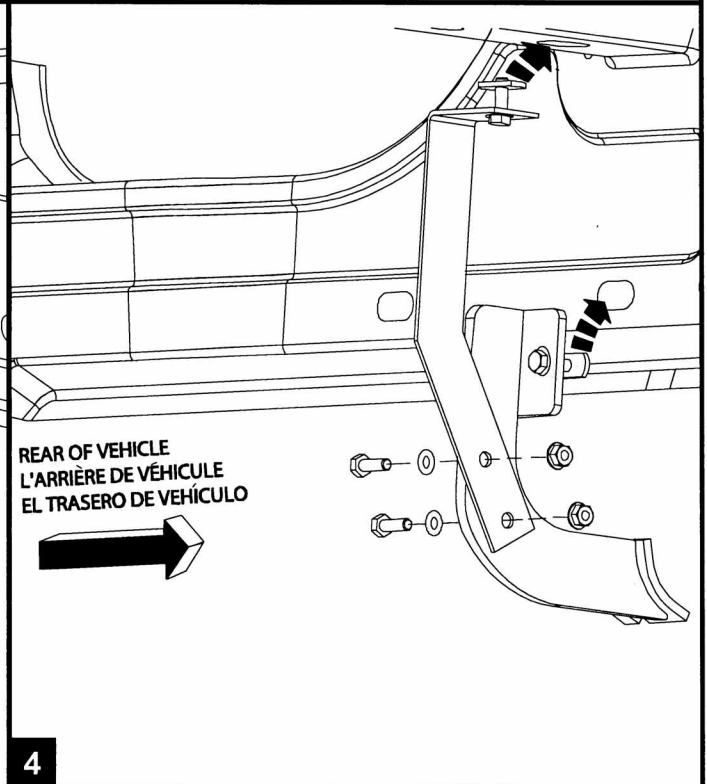
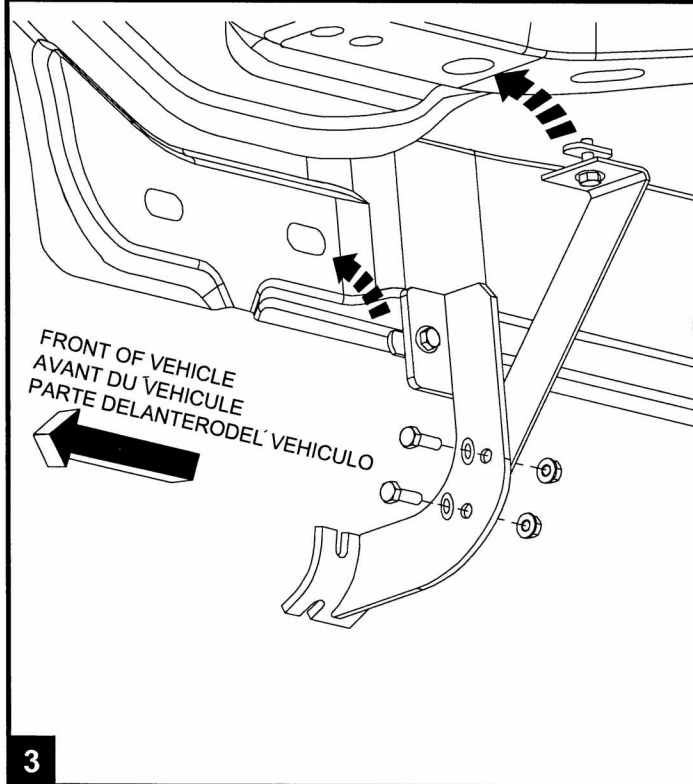
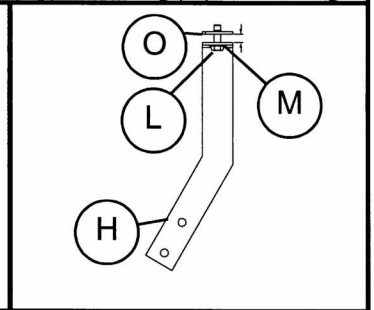
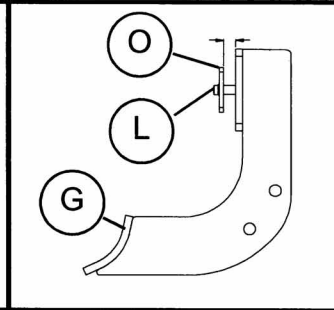
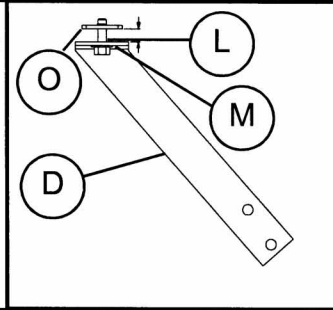
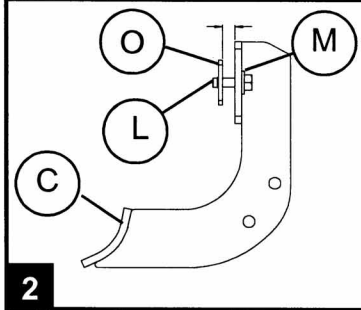
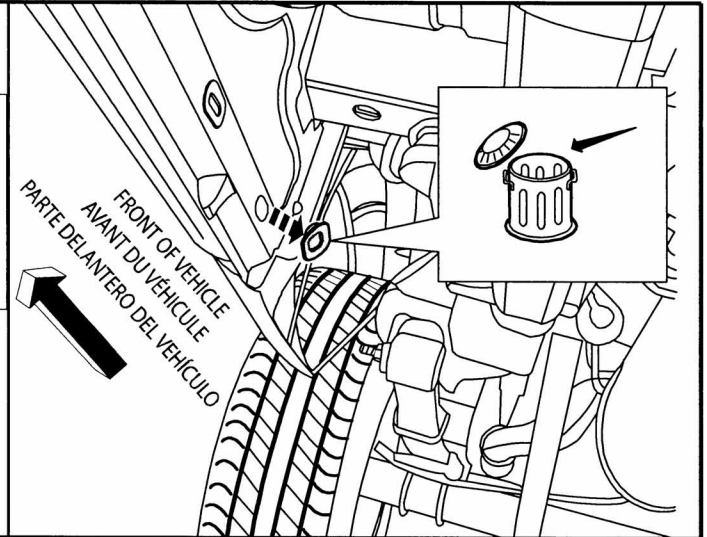
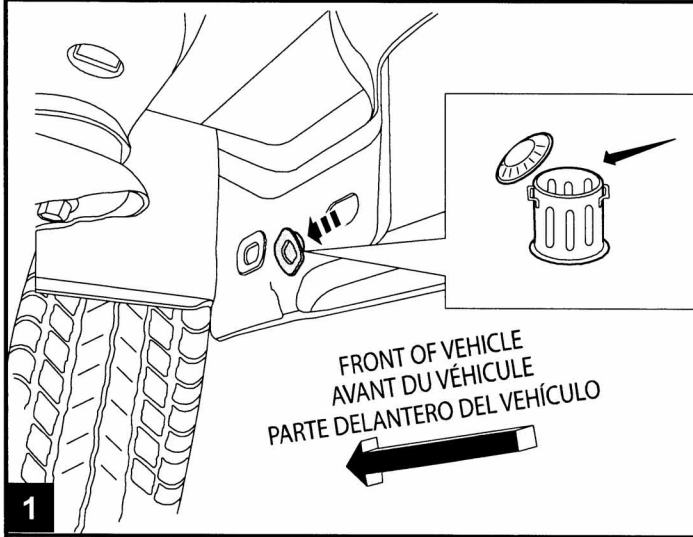
1X B	1X C	1X D	1X E	1X F	1X G	1X H	1X I
DRIVER FRONT	PASSENGER FRONT	DRIVER FRONT	PASSENGER FRONT	DRIVER REAR	PASSENGER REAR	DRIVER REAR	PASSENGER REAR

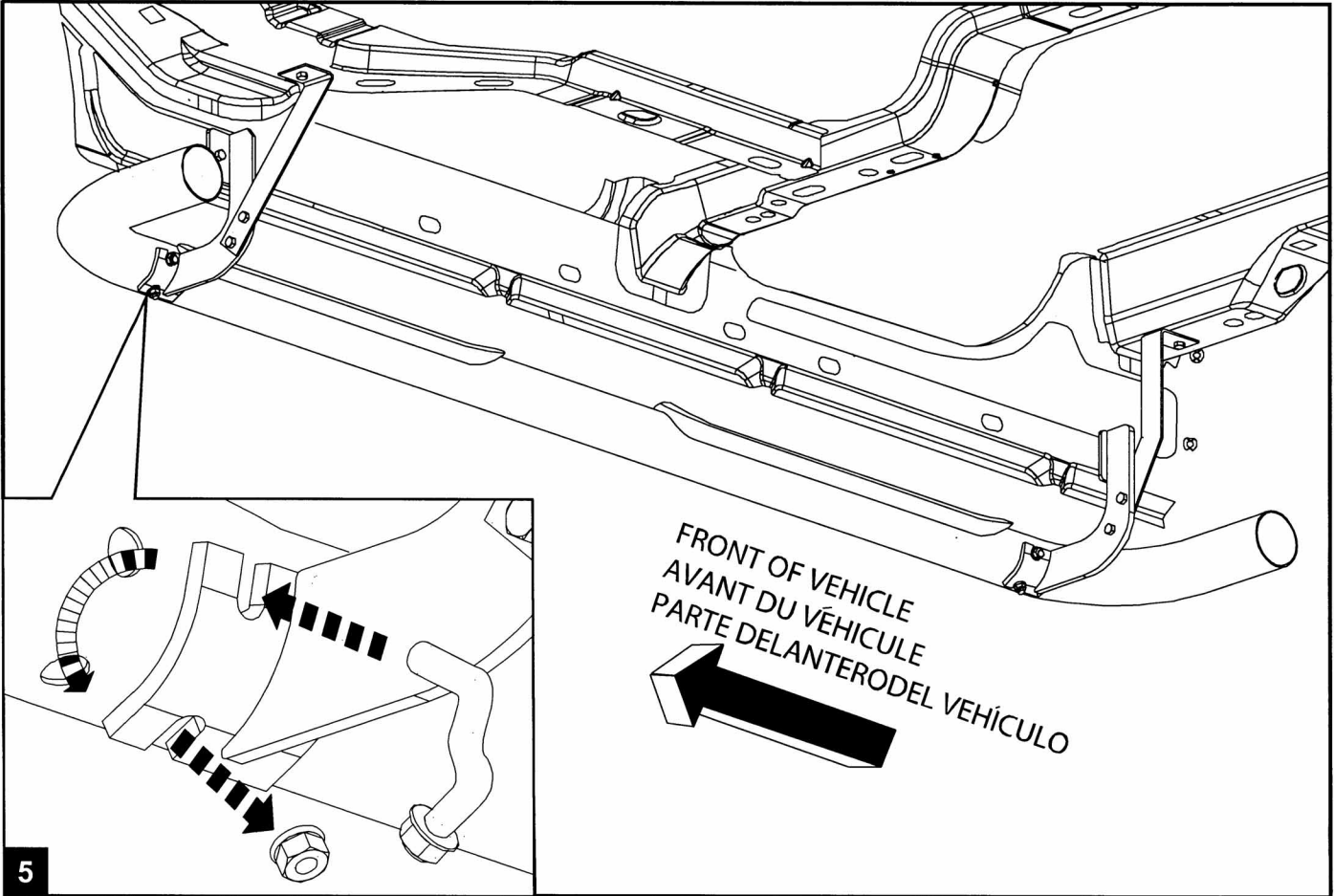
8X J	8X K	16X L	16X M	4X N	8X O
M8 FLANGE NUT	3/8" FLANGE NUT	M8 X 25mm HEX HEAD BOLT	M8 FLAT WASHER	3/8" X 2.5" W-BOLT	M8 T-NUT



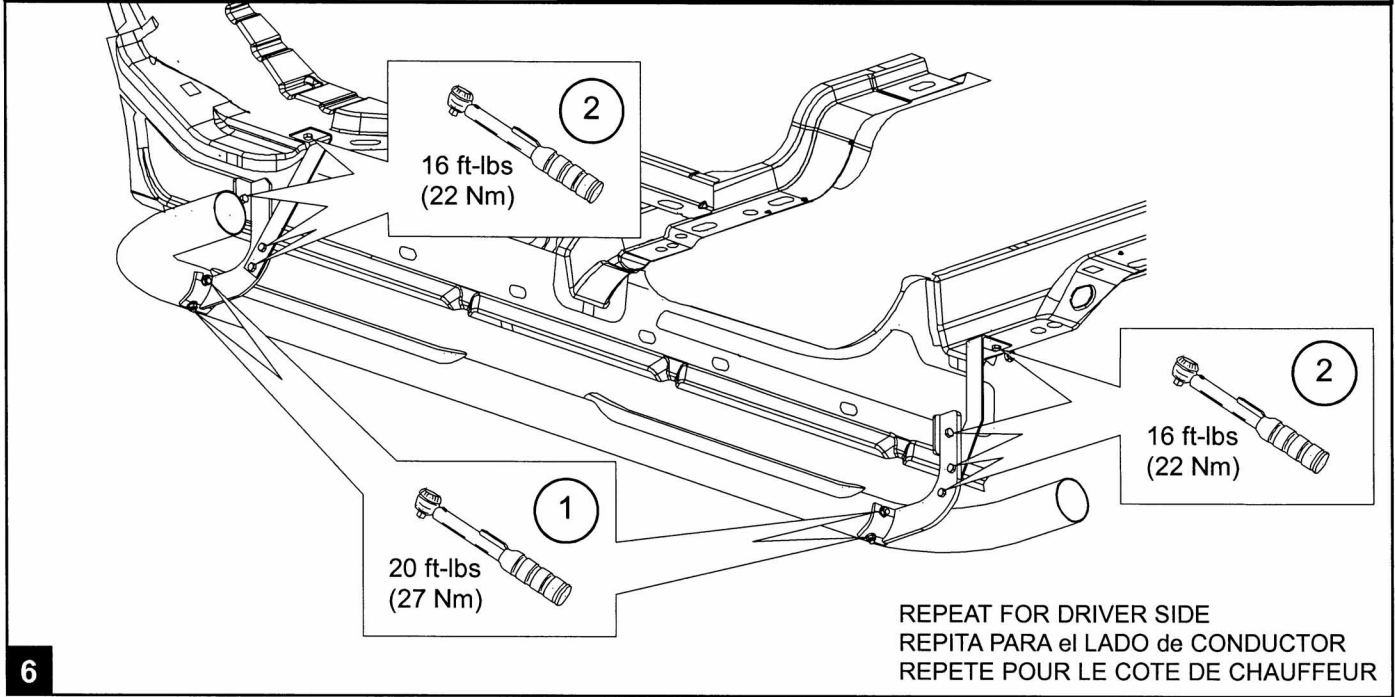


PASSENGER SIDE SHOWN
EI LADO del PASAJERO MOSTRADO
LE PASSAGER PREND PARTI MONTRE





5



6

REPEAT FOR DRIVER SIDE
REPITA PARA el LADO de CONDUCTOR
REPETE POUR LE COTE DE CHAUFFEUR